

6

ಒಟ್ಟು ಮುದ್ರಿತ ಪುಟಗಳ ಸಂಖ್ಯೆ : 16]

Total No. of Printed Pages : 16]

ಒಟ್ಟು ಪ್ರಶ್ನೆಗಳ ಸಂಖ್ಯೆ : 48]

Total No. of Questions : 48]

ಸಂಕೇತ ಸಂಖ್ಯೆ : **81-E**

Code No. : **81-E**

D

**CCE PR
UNREVISED
REDUCED SYLLABUS
NSR & NSPR**

Question Paper Serial No. **813**

ವಿಷಯ : ಗಣಿತ

Subject : MATHEMATICS

(ಇಂಗ್ಲಿಷ್ ಮಾಧ್ಯಮ / English Medium)

(ಪುನರಾವರ್ತಿತ ಖಾಸಗಿ ಅಭ್ಯರ್ಥಿ / ಎನ್.ಎಸ್.ಆರ್. & ಎನ್.ಎಸ್.ಪಿ.ಆರ್.)

(Private Repeater / NSR & NSPR)

ದಿನಾಂಕ : 17. 06. 2023]

[Date : 17. 06. 2023

ಸಮಯ : ಬೆಳಿಗ್ಗೆ 10-30 ರಿಂದ ಮಧ್ಯಾಹ್ನ-1-45 ರವರೆಗೆ]

[Time : 10-30 A.M. to 1-45 P.M.

ಗರಿಷ್ಠ ಅಂಕಗಳು : 100]

[Max. Marks : 100

General Instructions to the Candidate :

1. This question paper consists of objective and subjective types of 48 questions.
2. This question paper has been sealed by reverse jacket. You have to cut on the right side to open the paper at the time of commencement of the examination. Check whether all the pages of the question paper are intact.
3. Follow the instructions given against both the objective and subjective types of questions.
4. Figures in the right hand margin indicate maximum marks for the questions.
5. The maximum time to answer the paper is given at the top of the question paper. It includes 15 minutes for reading the question paper.

CCE-PR/NSR & NSPR-D(813)4136

[Turn over

ಇಲ್ಲಿಂದ ಕತ್ತರಿಸಿ

TEAR HERE TO OPEN THE QUESTION PAPER

ಪ್ರಶ್ನೆಪತ್ರಿಕೆಯನ್ನು ತೆರೆಯಲು ಇಲ್ಲಿ ಕತ್ತರಿಸಿ

Tear here

- I. **Four alternatives are given for each of the following questions / incomplete statements. Choose the correct alternative and write the complete answer along with its letter of alphabet. $8 \times 1 = 8$**



1. Which of the following represents measures of the sides of a right angled triangle ?

- (A) 3 cm, 8 cm and 6 cm (B) 5 cm, 8 cm and 10 cm
 (C) 3 cm, 4 cm and 5 cm (D) 6 cm, 7 cm and 8 cm

2. The formula to find the sum of first 'n' positive integers is

- (A) $\frac{n(n+1)}{2}$ (B) $\frac{n(n-1)}{2}$
 (C) $n(n+1)$ (D) $n(n-1)$



3. The coordinates of the midpoint of the line segment joining the points (3, 4) and (5, 6) is

- (A) (-4, -5) (B) (4, 5)
 (C) (4, -5) (D) (-4, 5)

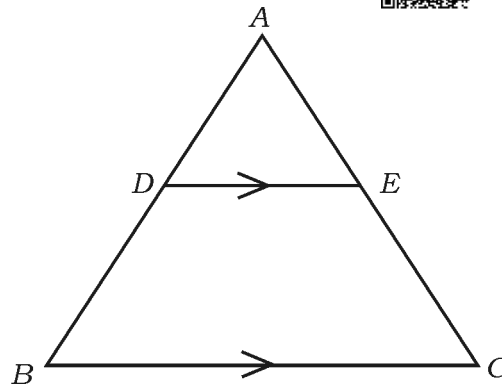


4. The median of the scores 10, 6, 8, 11 and 15 is

- (A) 8 (B) 11
 (C) 6 (D) 10



5. In triangle ABC if $DE \parallel BC$, then the correct relation among the following is



- (A) $\frac{AD}{BD} = \frac{AE}{EC}$ (B) $\frac{AB}{AD} = \frac{EC}{BD}$
 (C) $\frac{AD}{AE} = \frac{CE}{BD}$ (D) $\frac{DE}{BC} = \frac{AE}{AD}$



6. The distance between two parallel tangents in a circle of radius 3 cm is

- (A) 3 cm (B) 1.5 cm
 (C) 9 cm (D) 6 cm



7. The formula to find the volume of a solid cylinder having base radius ' r ' and height ' h ' is

- (A) $V = 4\pi r^2$ (B) $V = \pi r^2 h$
 (C) $V = \pi r l$ (D) $V = \frac{1}{3} \pi r^2 h$



8. If the n^{th} term of an arithmetic progression is $a_n = 2n + 1$ then

its $(n - 1)^{\text{th}}$ term is



(A) $(2n - 2)$

(B) $(2n + 3)$

(C) $(2n - 1)$

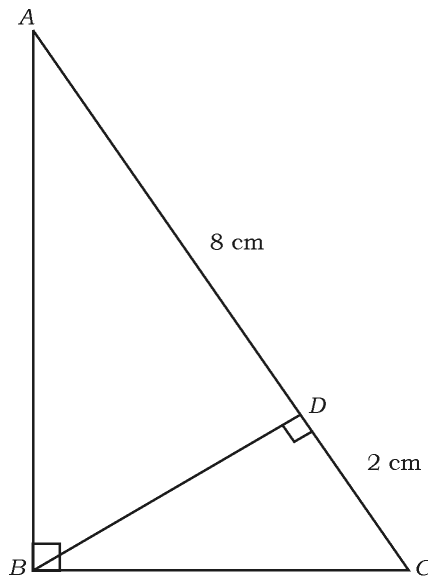
(D) $2n$

II. Answer the following questions :

$8 \times 1 = 8$

9. In right angled triangle ABC , $\angle ABC = 90^\circ$ and $BD \perp AC$. If

$AD = 8$ cm and $CD = 2$ cm, find the length of BD .



10. How many solutions do the pair of linear equations $x + 2y - 4 = 0$

and $3x + 2y - 5 = 0$ have ?



11. If $x, 7, 10 \dots$ are in arithmetic progression then write the value of x .



12. If the pair of linear equations $2x + 3y + 7 = 0$ and $ax + 6y + 14 = 0$ represents the coincident lines then find the value of a .

13. Find the value of the discriminant of the quadratic equation

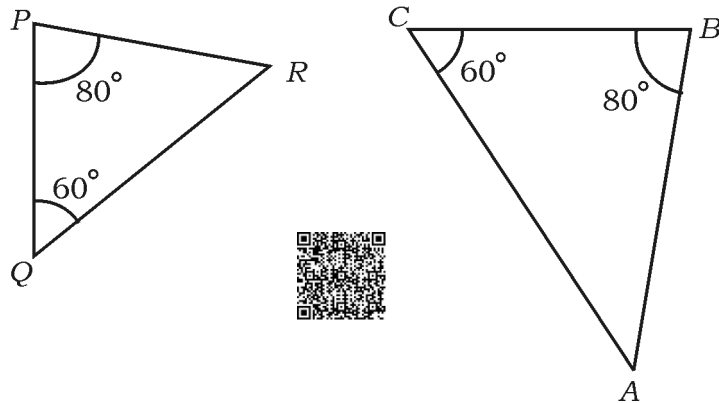
$$x^2 - 5x + 1 = 0.$$



14. Write the formula to find the area of a triangle PQR having vertices $P(x_1, y_1)$, $Q(x_2, y_2)$ and $R(x_3, y_3)$.



15. In the figure, name the side of triangle PQR which is corresponding to the side AB of triangle ABC .



16. Write the formula to find the surface area of a sphere having radius ' r ' units.

III. Answer the following questions :



18 × 2 = 36

17. Find the ratio in which the point (- 4, 6) divides the line segment joining the points A (- 6, 10) and B (3, - 8).

OR

Show that the points A (7, - 2), B (5, 1) and C (3, 4) are collinear.



18. Find the solution for the given pair of linear equations :

$$x + y = 10$$

$$2x - y = 8$$

19. Find the 21st term of the arithmetic progression 5, 9, 13, by using formula.



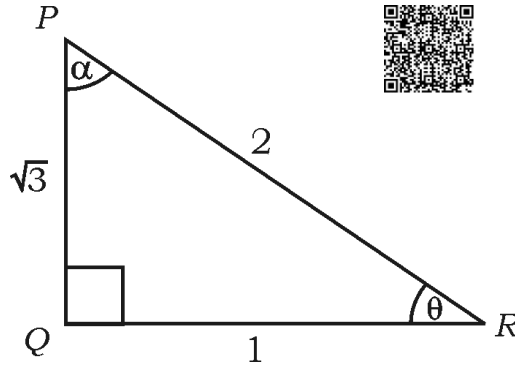
20. Find the roots of the equation $x^2 - 3x + 1 = 0$ using quadratic formula.



OR

Solve the equation $x^2 - 3x - 10 = 0$ by factorisation method.

21. In the given figure, find the values of $\cos \alpha$ and $\tan \theta$.

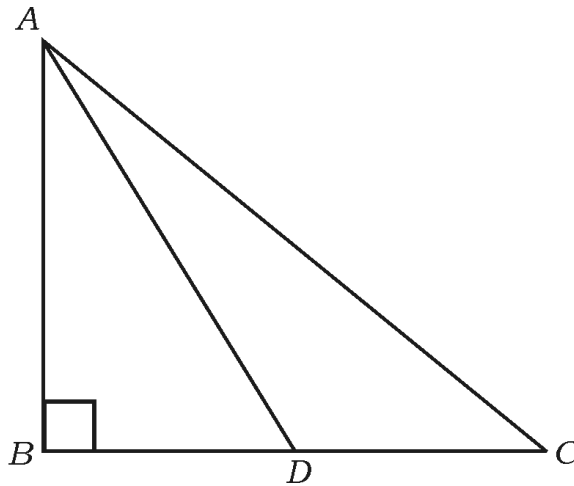


22. If $\cos 9\theta = \sin \theta$ and 9θ is acute, find the value of θ .



23. In triangle ABC , $\angle ABC = 90^\circ$ and D is the midpoint of BC . Prove

$$\text{that } AC^2 = AD^2 + 3CD^2.$$

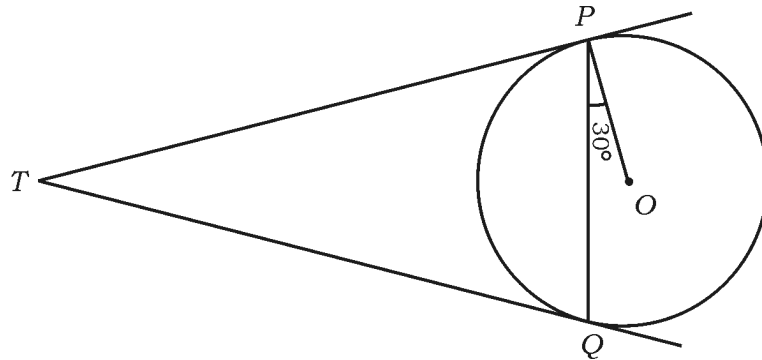


24. Construct two tangents to a circle of radius 3 cm from a point

7 cm away from its centre.



25. Two tangents TP and TQ are drawn to a circle with centre O from an external point T . If $\angle OPQ = 30^\circ$, show that $\angle PTQ = 60^\circ$.



26. "3 pencils and 4 pens together cost Rs. 55, whereas 4 pencils and 3 pens together cost Rs. 50." Represent this statement algebraically in the form of a pair of linear equations.



27. Three numbers are in arithmetic progression and their sum is 180. If the smallest number is 40, then find the arithmetic progression.





28. Find the value of $(\sin 30^\circ + \cos 60^\circ - \tan 45^\circ)$.

29. Find the distance between the origin and the point $(6, 8)$.

30. Write the conditions required for the two polygons of same number of sides are to be similar.






31. Find the volume of a cone of base radius 7 cm and height 9 cm.
32. Draw a line segment of length 10 cm and divide it in the ratio 2 : 3 by geometric construction. 
33. Draw a circle of radius 4 cm and construct a pair of tangents to the circle such that the angle between them is 70° .
34. The total surface area of a solid hemisphere is 462 cm^2 . Find the radius of that hemisphere. 

IV. Answer the following questions :**9 × 3 = 27**

35. Find the sum of the first 40 positive integers divisible by 6.

**OR**

The second and third terms of an arithmetic progression are 14 and 18 respectively. Find the sum of the first 26 terms of the Arithmetic progression using the formula.

36. Simplify the equation $(x^2 + 5x + 3) = (x + 2)(x - 1)$ and mention whether it is a quadratic equation or not. 

37. Prove that $(\sec A - \cos A)(\cot A + \tan A) = \tan A \cdot \sec A$.



OR

If A, B and C are interior angles of a triangle then prove that

$$1 + \tan^2 \left(\frac{A+B}{2} \right) = \operatorname{cosec}^2 \left(\frac{C}{2} \right).$$



38. The points A, B and C are collinear. If $A(1, 0)$, $B(4, 4)$ and $AC = 8$ cm, then find the coordinates of point C .

39. Calculate the mean for the data in the following frequency distribution table :



<i>Class-interval</i>	<i>Frequency (f_i)</i>
5 – 15	4
15 – 25	6
25 – 35	5
35 – 45	6
45 – 55	4
	$\Sigma f_i = 25$



OR

Calculate the mode for the data in the following frequency distribution table :

<i>Class-interval</i>	<i>Frequency</i>
10 – 15	3
15 – 20	3
20 – 25	7
25 – 30	6
30 – 35	6



40. The daily income of 50 workers of a factory were recorded as follows. Draw “less than type” ogive for the given data.

<i>Daily income in Rs.</i>	<i>Number of workers (cumulative frequency)</i>
Less than 100	10
Less than 120	25
Less than 140	35
Less than 160	40
Less than 180	50



41. Prove that “the tangent at any point of a circle is perpendicular to the radius through the point of contact”.



42. Construct a triangle with sides 5 cm, 6 cm and 8 cm. Then construct another triangle whose sides are $\frac{3}{4}$ of the corresponding sides of the first triangle.



43. The curved surface area of a cone is 550 cm^2 . If the slant height of the cone is 25 cm then find the total surface area of the cone.



OR

Two cubes each of side 6 cm are joined end to end. Find the total surface area of the resulting cuboid.

V. Answer the following questions :

4 × 4 = 16

44. Find the solution of the given pair of linear equations by graphical method :

$$x + y = 5$$



$$2x + y = 6$$



45. The denominator of a fraction is 3 more than its numerator. If the sum of this fraction and its reciprocal is $\frac{29}{10}$ then find the

fraction.



OR

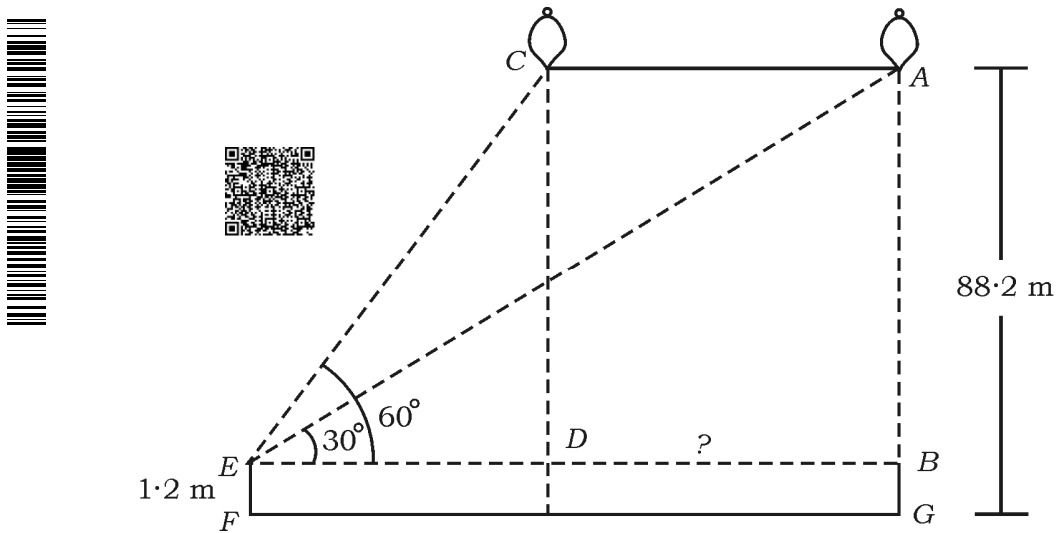
A student bought some books for Rs. 60. Had he bought 5 more books for the same amount each book would have cost him Re. 1 less. Find the number of books bought by him.



46. A 1.2 m tall girl spots a balloon moving with the wind in a horizontal line at a height of 88.2 m from the ground. The angle of elevation of the balloon from the eyes of the girl at any instant is 60° . After some time the angle of elevation reduces to 30°



(see the figure). Find the distance travelled by the balloon during the interval.



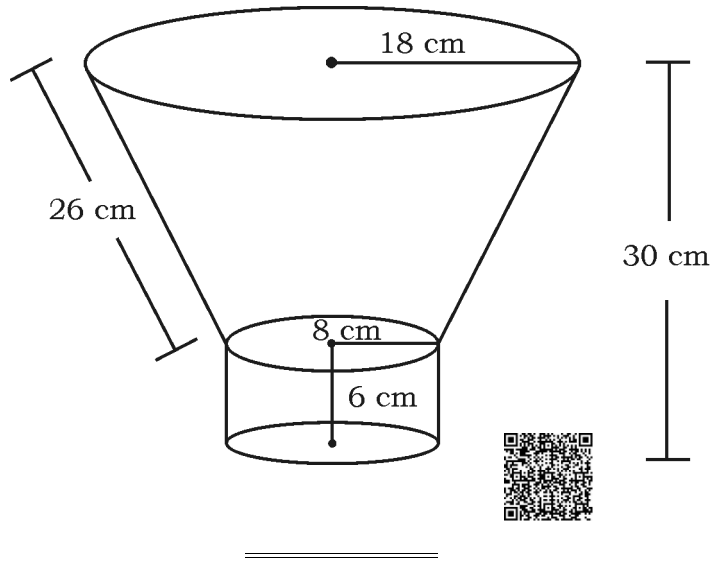
47. Prove that “the ratio of the areas of two similar triangles is equal to the square of the ratio of their corresponding sides”.

VI. Answer the following question :

1 × 5 = 5

48. A dustbin in the form of a frustum of a cone is mounted on the circular base of a hollow cylinder as shown in the figure. The radii of circular top and bottom of the dustbin and its slant height are 18 cm, 8 cm and 26 cm respectively. The radius and

height of the cylinder are 8 cm and 6 cm respectively. If the total height of the given solid is 30 cm, then find the volume of the dustbin and also the curved surface area of the entire solid.



81-E

16

CCE PR/NSR & NSPR

CCE-PR/NSR & NSPR-D(813)4136

6